

KEKEISEN

UBF 2500/13

Stock no. :1022-E06273

## MACHINE-DATA

Machinetype : Bed Type Milling Machine - Universal  
Make : KEKEISEN  
Type : UBF 2500/13  
Year : 2001  
Control type : CNC  
Control : Heidenhain TNC 430 M  
Storage location : Germany  
Origin : Germany  
Delivery time : Short-dated  
Quotation : Ex site, without dismantling and loading  
Price : on request



## TECHNICAL DATA

x-travel	2500 mm
y-travel	1200 mm
z-travel	1300 mm
Control	Heidenhain TNC 430 M
table surface area	2700 x 960 mm
table load	7,0 t
tool taper	ISO 50
spindle turning speed range	4000 U/min
total power requirement	55 kVA
weight of the machine ca.	17 t
dimensions of the machine ca.	7,5 x 4,4 x 3,2 m

## TECHNICAL DESCRIPTION

*CNC bed milling machine in good condition  
An inspection under power in the factory is still possible.  
New price in 2001: EUR 435.000,-(special price)*

*Operating hours (as of August 2025):*



**KEKEISEN**

UBF 2500/13

Stock no. :1022-E06273

---

*Control unit on: 47.295 h*

*Machine on: 45.972 h*

*Programm run: 12.332 h*

**Equipment:**

\* CNC control HEIDENHAIN TNC 430 M

\* Electronic handwheel HR 410

\* NC universal milling head, autom. swivelling horizontal/vertical, as well as 90 degrees right/left in 1 degree positions.

\* Spindle orientation for 5 milling head positions

\* Milling head and gearbox oil cooling for thermal stabilisation

\* Coolant system with 200 litre tank, infinitely adjustable 1.5 - 8 bar

\* Additional coolant feed through the milling head (coolant outlet from nozzles next to the spindle)

\* Chip conveyor between bed and column, discharge height 1000 mm

\* Preparation for later attachment of a changer (machined column surfaces)

## **VIDEO-LINKS**

Video No.1 : <https://www.youtube.com/embed/ijpAjNxXKro>

## **WEB-LINK**

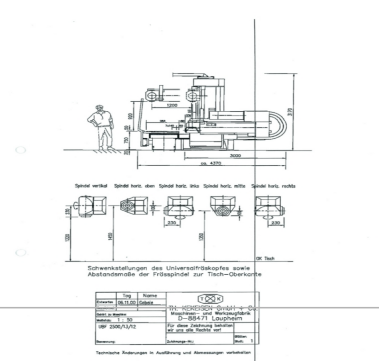
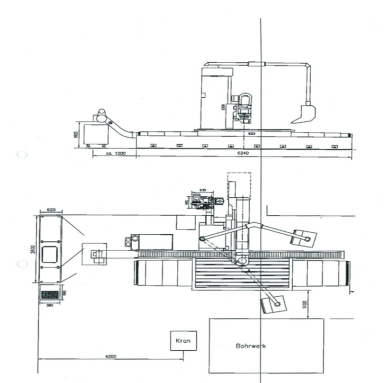
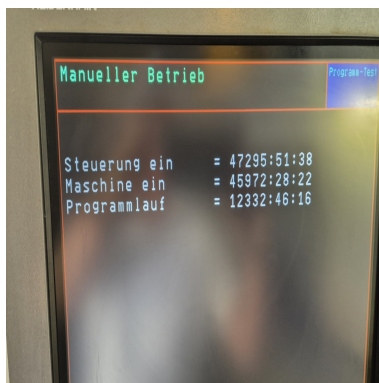
<http://mhp.logotech.de/hpm/v7/Datenblatt/datenblatt.php?machineno=1022-E06273>



KEKEISEN

UBF 2500/13

Stock no. :1022-E06273



Technical details and information subject to amendments and errors.

Knops Werkzeugmaschinen GmbH & Co. KG